

# AMULET MANUFACTURING COMPANY, INC.

ENGINEERING DEPT.

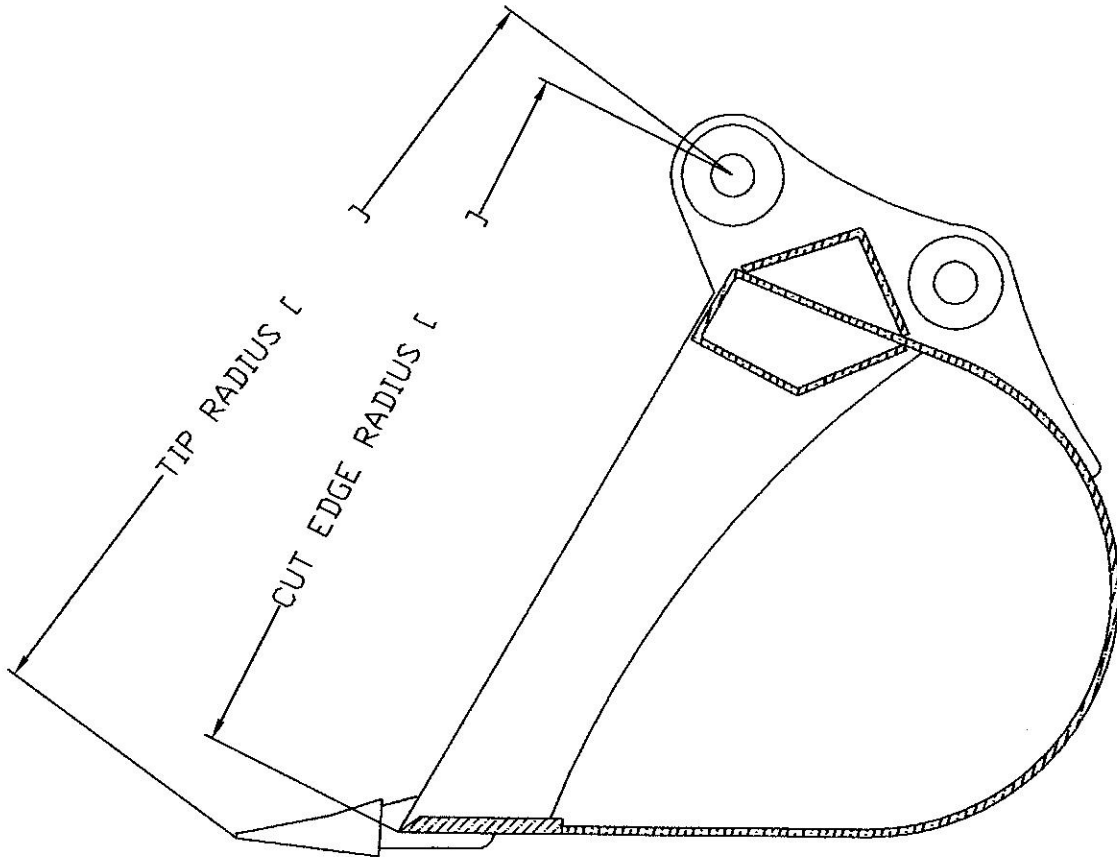
BUCKET PROFILE

MACHINE MODEL \_\_\_\_\_  
 BUCKET MANUFACTURER \_\_\_\_\_  
 BUCKET MODEL NO \_\_\_\_\_  
 BUCKET SERIAL NO \_\_\_\_\_

BUCKET WIDTH \_\_\_\_\_  
 # OF TEETH \_\_\_\_\_  
 TODAY'S DATE \_\_\_\_\_  
 COMPLETED BY \_\_\_\_\_

*PLEASE FILL IN ALL DIMENSIONS FOR YOUR BUCKET.*

NOTE: IF YOUR BUCKET PROFILE DIFFERS SIGNIFICANTLY FROM THIS DRAWING, PLEASE SKETCH YOUR BUCKET PROFILE AND ADD THE DIMENSIONS SHOWN.



BUCKET SIDE VIEW